

THERMAL TRANSMITTANCE CALCULATION

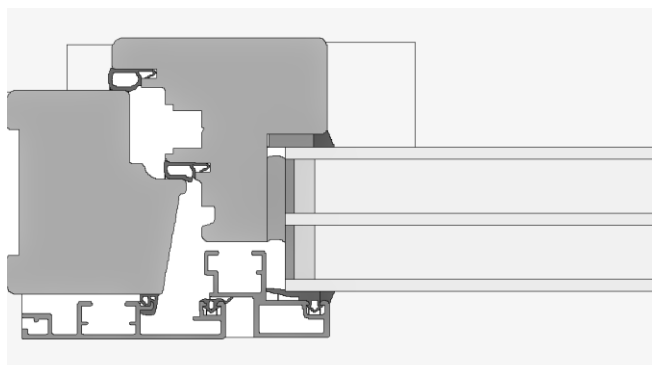
Calculation num.: 173.1/12

PRODUCT STANDARD: EN 14351-1 + A1

CALCULATION STANDARD: EN 1077-2:2012

SOFTWARE: WinIso 2D

VALIDITY: The data and results refer solely to the described specimen or to the specimen of bigger dimension but with the same frame and glazing details.

WINDOW TYPE Comfort 3QL**PRODUCT** Single tilt and turn window

Frame material Wood - spruce/fir

Thermal transmittance of frame $U_f = 1,3 \text{ W/m}^2\text{K}$, $b=108\text{mm}$ Thermal transmittance of glazing $U_g = 0,5 \text{ W/m}^2\text{K}$
4/18Ar/4/18Ar/4Linear thermal transmittance of frame/glazing junction $\Psi = 0,042 \text{ W/mK}$

Window dimension (w x h) 1230 mm x 1480 mm

 $U_w = 0,85 \text{ W/m}^2\text{K}$