

THERMAL TRANSMITTANCE CALCULATION

Calculation num.: 173.1/12

PRODUCT STANDARD: EN 14351-1 + A1

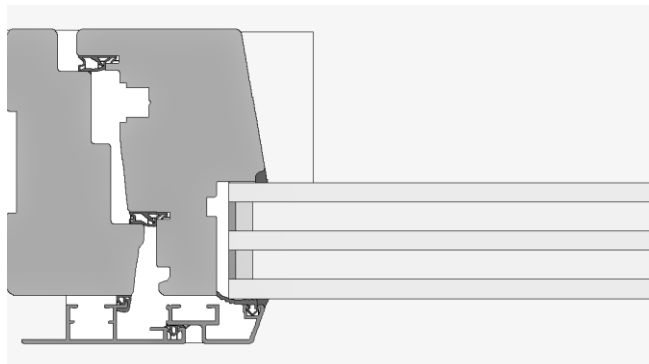
CALCULATION STANDARD: EN 1077-2:2012

SOFTWARE: WinIso 2D

VALIDITY: The data and results refer solely to the described specimen or to the specimen of bigger dimension but with the same frame and glazing details.

WINDOW TYPE Comfort Optimo XL

PRODUCT Single tilt and turn window



Frame material	Wood - spruce/fir
Thermal transmittance of frame	$U_f = 0,98 \text{ W/m}^2\text{K}$, $b=104\text{mm}$
Thermal transmittance of glazing	$U_g = 0,7 \text{ W/m}^2\text{K}$ 8/12Ar/8/12Ar/8
Linear thermal transmittance of frame/glazing junction	$\Psi = 0,054 \text{ W/mK}$
Window dimension (w x h)	1230 mm x 1480 mm



$U_w = 0,92 \text{ W/m}^2\text{K}$