

# THERMAL TRANSMITTANCE CALCULATION

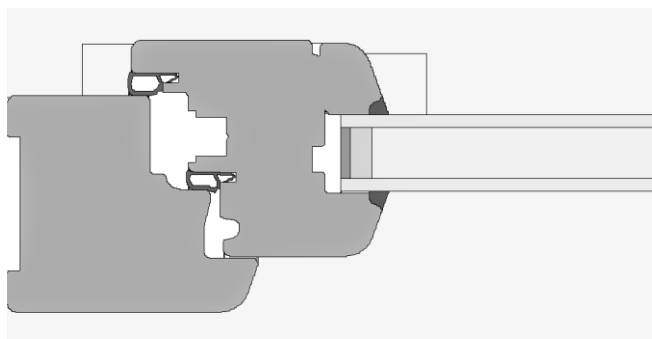
Calculation num.: 173.1/12

PRODUCT STANDARD: EN 14351-1 + A1

CALCULATION STANDARD: EN 1077-2:2012

SOFTWARE: WinIso 2D

**VALIDITY:** The data and results refer solely to the described specimen or to the specimen of bigger dimension but with the same frame and glazing details.

**WINDOW TYPE** Nature**PRODUCT** Single tilt and turn window

Frame material	Wood - spruce/fir
Thermal transmittance of frame	$U_f = 1,2 \text{ W/m}^2\text{K}$ , $b=118\text{mm}$ $U_{f,\text{bot}} = 1,4 \text{ W/m}^2\text{K}$ , $b=137\text{mm}$
Thermal transmittance of glazing	$U_g = 1,0 \text{ W/m}^2\text{K}$ , 4/16Ar/4
Linear thermal transmittance of frame/glazing junction	$\Psi = 0,040 \text{ W/mK}$
Window dimension (w x h)	1230 mm x 1480 mm



$$U_w = 1,2 \text{ W/m}^2\text{K}$$